


KFC-P1603MRS

Specifications

RMS Power.....	50 W	
Frequency Response.....	55 Hz ~ 20,000 Hz	
Sensitivity.....	86 dB / W at 1 m	
Impedance.....	4 Ω	

Speaker

Woofer..... 160 mm (6-1/2") PP cone Type
283 g (10 oz) Magnet

Tweeter..... 20 mm (13/16") PEI Dome Type

Peak Power..... 300 W

Net Weight with Grille

Woofer..... 1,700 g (3.8 lb) / Pair

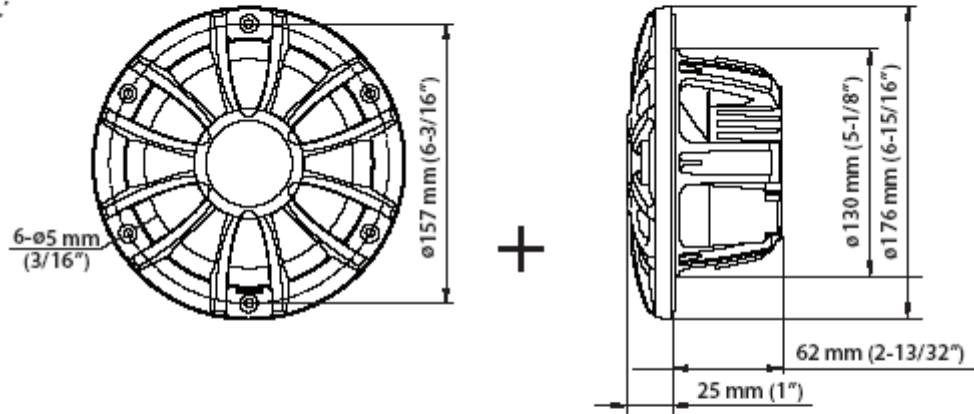
Tweeter..... 64 g (2.2 oz) / Pair

Technical specifications

	SYMBOL	UNIT	VALUE
Nominal impedance	Z	Ω	4
DC resistance	Revc	Ω	3.6
Voice coil inductance	Levc	mH	0.16
Resonance frequency	Fs	Hz	62
Resonance frequency impedance	Zs	Ω	25
Mechanical Q factor	Qms		0.071
Electrical Q factor	Qes		0.013
Total Q factor	Qts		0.011
Volume acoustic compliance	Vas	liter	11.7
		cu.ft	0.413
Moving mass	Mms	g	14.7
Suspension compliance	Cms	m/N	0.453 x 10 ⁻³
Emissive diameter of the diaphragm	D	mm	127
Voice coil diameter	d	mm	25
		in.	1
Voice coil layers	n		2
Flux density	B	T	1.09
Force factor	BL	T.m	4.1
Weight of magnet		g	283
		oz	10
Peak excursion	Xmax	mm	2

Dimensions / Dimensions / Dimensiones

■ Woofer / Bases / Altavoz de graves



■ Tweeter / Aigus / Altavoz de agudos

